



convention strategy

Attendance Management

A ConventionLogic Service



**RFID
SmartPoint**

WALL MOUNT

Key Features

- **Simple and Attractive**
Compact, ergonomic scanner is easily mounted in any area of an exhibit booth
- **Realtime Data Delivery**
All SmartPoints are networked and connect to a central wireless access point
- **Reliable Scanning**
Reads 13.56 MHz RFID tags
- **Long Battery Life**
Over 20 hours of runtime on a single charge
- **Custom Graphics**
Add customized graphics and signage to enhance the capability with mounting environment

Attendance tracking with proven technology that offers exceptional benefits

The SmartPoint is the latest addition to Convention Strategy's line of RFID equipment and is ideally suited as an information request point for exhibit booths. Mount these self contained devices on a wall near marketing posters, signs or plasmas so that attendees in your booth can scan their badge to request more information.

To participate, attendees can simply hold their RFID equipped badge near a SmartPoint. It will produce an audible beep and flash an LED to indicate that the badge information was read and stored. Each scan is time stamped and stored in memory. The SmartPoints are consistently transmitting data in real time to the Internet. Applications for the SmartPoint are limited only by the imagination - use them for attendance monitoring, prize drawings, information requests or mini surveys.

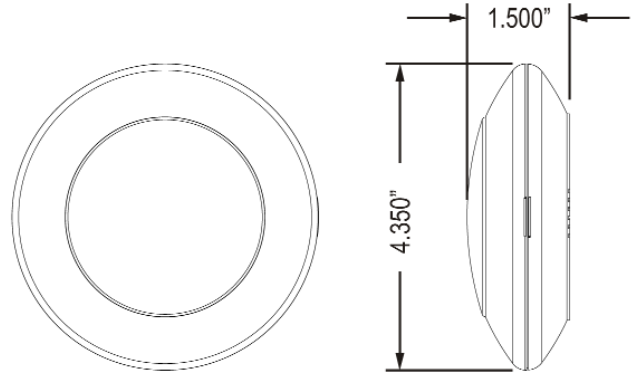
This innovative and compact unit can be used to scan attendees with a 20 plus hour battery life, while storing up to 1,500 scans. The SmartPoint is so simple that visitors can easily use it without booth staff assistance, making it the perfect fit for large and bustling shows. Exhibitors also have the ability to view their in-booth scanning activity on a secure Internet portal as the show is occurring.

For more information visit www.ConventionStrategy.com or email sales@cstrategy.com or call (301) 656-7521.

ConventionLogic
Communications • Strategy • Integration

Attendance Management

Details & Specifications



Memory Capacity	8,000 scans
Indicator	Red - Active; Green - Data read OK; Amber - Charging
Timestamp	Date and Time on each scan
RFID Scan Technology	Passive HF (13.56 Mhz) tags with up to 250 characters
RFID Protocols	ISO 15693 & TI Tagit HF standard; other formats to be released
Communications	Class 1 Bluetooth
Operating Temperature	35 to 85 degrees Fahrenheit
Computer Interface	Standard USB via mini-B connector (USB cable included)
Housing	ABS plastic - eggshell white
Size	4.35" dia by 1.2" thick (111mm dia by 31mm thick)
Weight	6 oz (170 grams)
Software	Onsite software provided with Bluetooth capabilities
Battery	Internal Lithium ion 3.7V rechargeable
Battery Capacity	4.1 AHr, recharges in 5-10 hours from powered USB port or charger
Run Time per charge	20-30 hours typical including more than 1500 scans



For More Information:

For more information on Convention Strategy products and services visit www.ConventionStrategy.com, call (301) 656-7521 or send an email to sales@cstrategy.com. Convention Strategy is guided by a management team with over 20 years experience in event management. The company is an innovative provider of measurement metric tools for meetings, conferences and events. Convention Strategy specializes in delivering integrated registration, housing, lead retrieval, attendance management and other event technology solutions to a wide range of clients.

In Partnership with:

